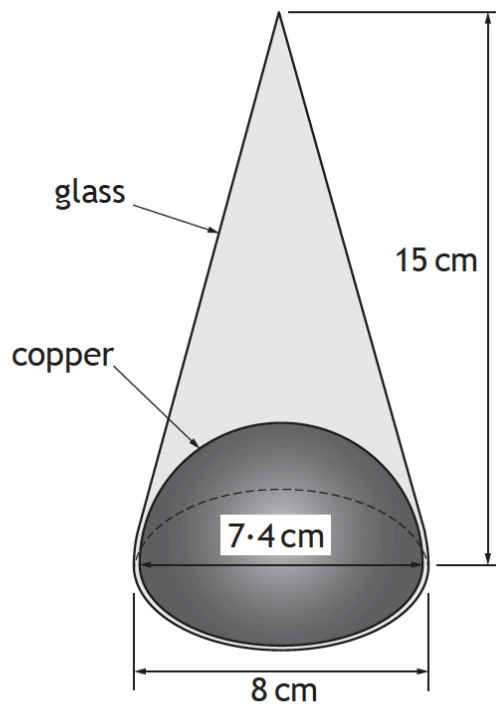


Marks are indicated in brackets after each question number

2014 Paper 2 Question 7, (5)

An ornament is in the shape of a cone with diameter 8 centimetres and height 15 centimetres.

The bottom contains a hemisphere made of copper with diameter 7.4 centimetres. The rest is made of glass, as shown in the diagram below.



Calculate the volume of the glass part of the ornament.

Give your answer correct to 2 significant figures.

2015 Paper 2 Question 6, (3) (2)

- (a) The Earth is approximately spherical with a radius of 6400 kilometres.
Calculate the volume of the Earth giving your answer in scientific notation, correct to 2 significant figures.



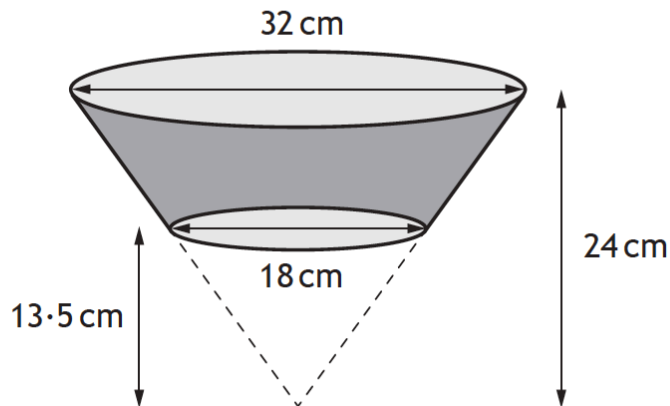
- (b) The approximate volume of the Moon is 2.2×10^{10} cubic kilometres.
Calculate how many times the Earth's volume is greater than the Moon's.

2016 Paper 2 Question 7, (5)

A carton is in the shape of a large cone with a small cone removed.

The large cone has diameter of 32 cm and height 24 cm.

The small cone has diameter of 18 cm and height 13.5 cm.



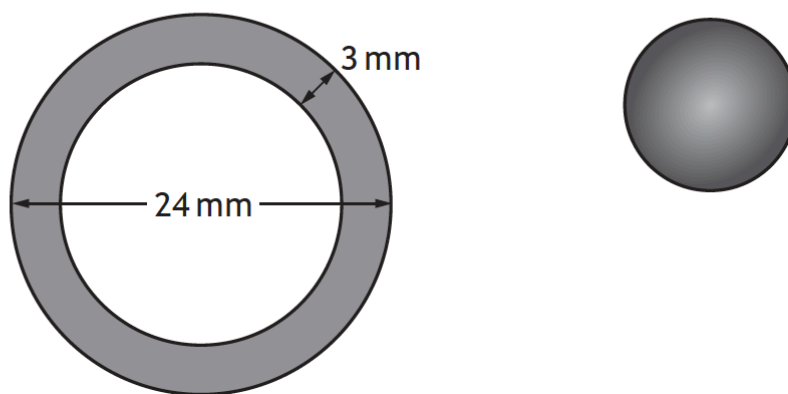
Calculate the volume of the carton.

Give your answer correct to 2 significant figures.

2017 Paper 2 Question 6, (5)

A spherical sweet is made by coating a caramel sphere evenly with chocolate.

A cross-section of the sweet is shown below.



The diameter of the sweet is 24 millimetres and the thickness of the chocolate coating is 3 millimetres.

Calculate the volume of the chocolate coating.

Give your answer correct to 3 significant figures.